

# Urgent Care Center

8134 Havens Corner Rd, Columbus, Ohio 43004

Architect	Casework Contractor	General Contractor
<p><b>Meyers + Associates</b> 232 N 3rd Street Suite 300 Columbus, OH 43215 614.221.9433</p>		<p><b>Roslovic Construction</b> 600 Morrison Rd Gahanna, OH 43230-5342 614.252.3141</p>
<p>Approval Stamp</p>		<p>Approval Stamp</p>
		<p>General Contractor</p>
<p>Date</p>		<p>Drawn By: <b>ACB</b> Date: <b>09-28-2010</b> Page:</p>

ADA requirements note that these submittals only reflect and interpret casework that has been designed of the architectural drawings for this project. They do not in any way represent a compliance with ADA requirements for dimensions, height, clearance, access, sinks, fixtures, hardware or other items not mentioned. Proposed manufactures do offer options that allow compliance, but our scope of work does not interpret the architect's intents compliance of casework or for overall design and compliance.

# C1

Note:

1. All countertops (unless otherwise noted on elevations) shall be provided by Specialty Service Cabinetry, Inc.
2. All casework dimensions will be verified for and conditions that would require size changes or for any items that interfere with the casework as drawn in or elevations. All changes and dimensions due to field dimensions will be incorporated into "as-built" drawings, cabinet sizes will change at our discretion.
3. The following items shall be by others (unless noted otherwise)
  - a. Vinyl Base
  - b. Sinks
  - c. Sink Fixtures
  - d. Electrical Fixtures
  - e. Light Fixtures
  - f. Gas or Air Fixtures
  - g. Apparatus Assemblies
  - h. .
  - i. .
4. See submittals for details on all mechanical, electrical and plumbing final connections to be by others and coordinated with the individual trades, all sinks by others unless otherwise noted.
5. Countertop with finished ends are indicated by:
  - f. NFE or Blank = No Finished End
  - k. FRE = Finished Right End
  - l. FLE = Finished Left End
  - m. FBE = Finished Both Ends
6. Cabinets with finished ends are indicated by:
  - n. FE = Finished End
  - o. FV = Field Verify
7. Equipment shown with dashed lines is for reference only. They are not intended to be show installation locations. Please contact Specialty Service Cabinetry, Inc for specific items and locations. The dealer shall be responsible for all clearances.
8. Items drawn and detailed are drawn as reference only. For complete description of inclusions and exclusions see bid scope work.

Printes Issued:

Date: Reason Issued: By: Checked By:

Project Information:

Tentative delivery currently is set for the week of:

Please note information required to order material is due by the following date:

Please note all field checks shall be submitted by the following date:

Project Notes:

Project: **Urgent Care Center**  
 8134 Havens Corner Rd, Columbus, Ohio 43004

Revisions:

Drawn By:	ACB
Date:	09-28-2010

Page:

- Carcass Construction
  - 3/8" particle board with VGS high pressure plastic laminate exterior surfaces and melamine interior surfaces
- Base Cabinets
  - Sides, rails and bottoms to be 3/8" melamine cover particle board. Glued, stapled and screwed together. Back panels to be 1/2" melamine covered particle board applied with glue, staples and screws. Cabinet bases to be 3/8" particle board with center supports and to be shipped loose. Exterior exposed edges to be edged with matching 0.018" PVC.
- Wall Cabinets
  - Sides and bottoms to be 3/8" melamine cover particle board. Glued, stapled and screwed together. Back panels to be 1/2" melamine covered particle board applied with glue, staples and screws. Exterior exposed edges to be edged with matching 0.018" PVC.
- Adjustable Shelves
  - Shelves to be 3/8" melamine cover particle board. Shelves to be mounted on clear plastic shelf clips set into 5mm system holes at 32mm apart. Front edge of shelf to be covered with 1mm PVC matching edge tape.
- Door and Drawer Fronts
  - Flush overlay construction with VDS high pressure plastic laminate in exterior face and 0.018" PVC on exposed edges. Interior surface to be melamine
- Drawers
  - Drawer box sides, front, bottom and back to be 1/2" melamine covered particle board.
- Hinges
  - 120 degree full overlay euro
- Drawer Slides
  - 75lb rated 3/4 extension
- Handles
  - 4" wire with dull chrome finish
- Locks
  - Chrome National Tubler Lock
- Plan Countertops
  - 2 Layers of 3/4" Plywood with hgs high pressure plastic laminate exterior surfaces. buildup on front of countertop to be 1 1/2" unless otherwise specified. back and side splashes to be made of 3/4" particle board unless otherwise specified w/ hgs high pressure plastic laminate on all exposed surfaces. see details for back splash height. where countertop has apron: apron to made of 3/4" particle board with hgs high pressure plastic laminate on all exposed areas, and frame to be made of 2 layers of 3/4" shop grade plywood for support

Material Color	Material Application
PL1	Cabinet Exterior
PL2	Diwall
PL3	Countertop
M1	Cabinet Interior
SS1	Pass Through Top

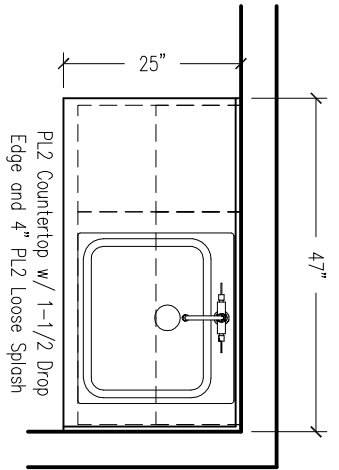
Project: **Urgent Care Center**  
8134 Havens Corner Rd, Columbus, Ohio 43004

Revisions:

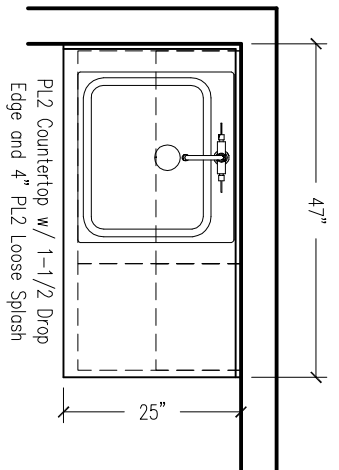
Drawn By: **ACB**  
Date: **09-28-2010**

Page:

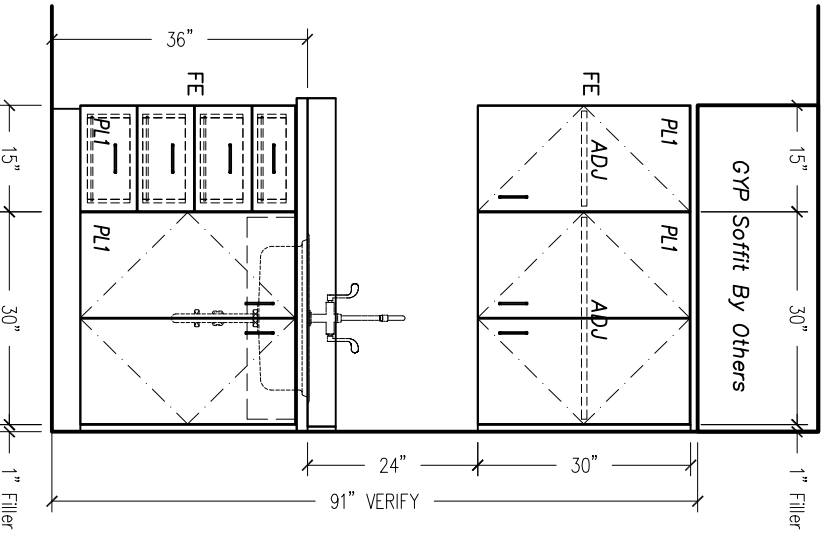




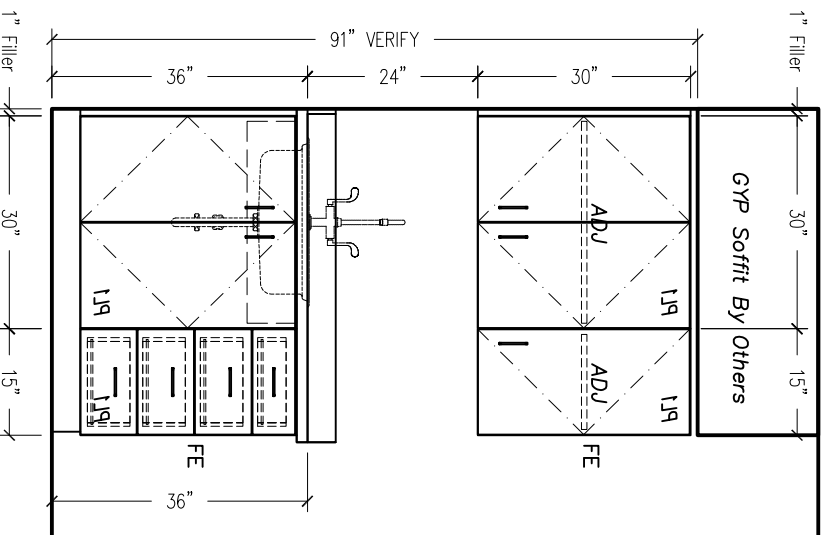
W153012 W303012



W303012 W153012



4DB15 SB30  
 Rooms 114 & 115



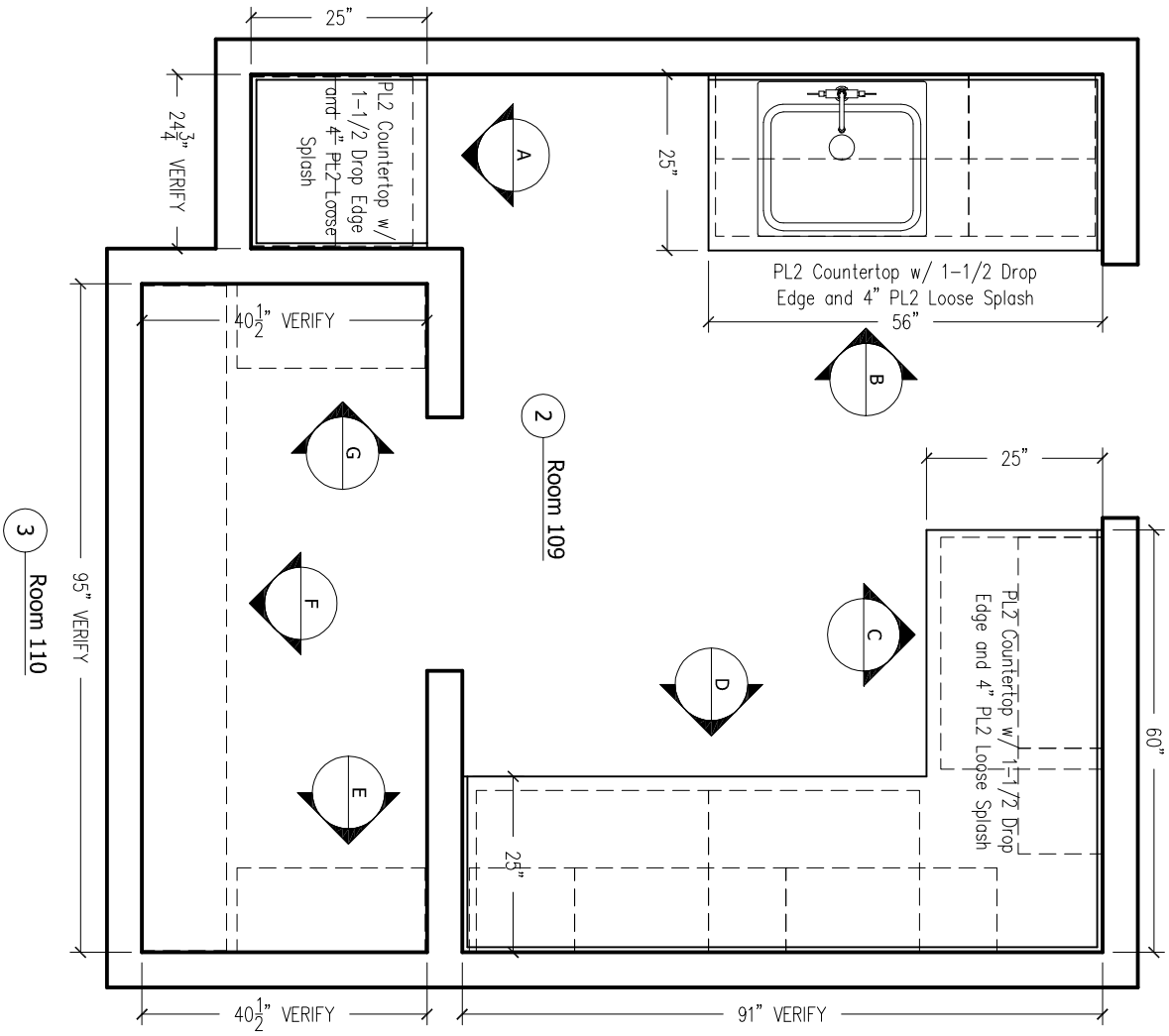
SB30 4DB15  
 Rooms 112, 113, 116 & 117

See Architects Drawings for Room Locations

Project: **Urgent Care Center**  
 8134 Havens Corner Rd, Columbus, Ohio 43004

Drawn By:	ACB
Date:	09-28-2010
Scale:	See Drawing
Elev:	See Drawing
Room No.:	See Drawing
Page:	

**A1**



See Architects Drawings for Room Locations

Project:  
**Urgent Care Center**  
 8134 Havens Corner Rd, Columbus, Ohio 43004

Revisions:

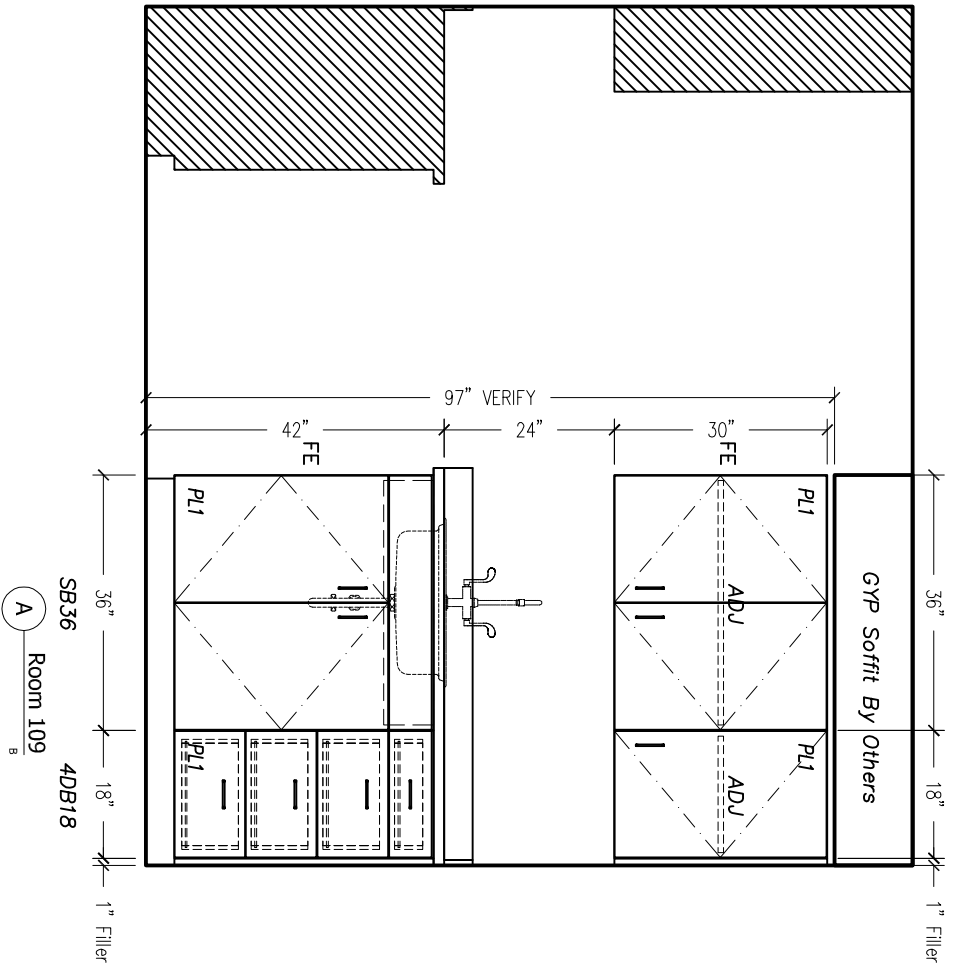
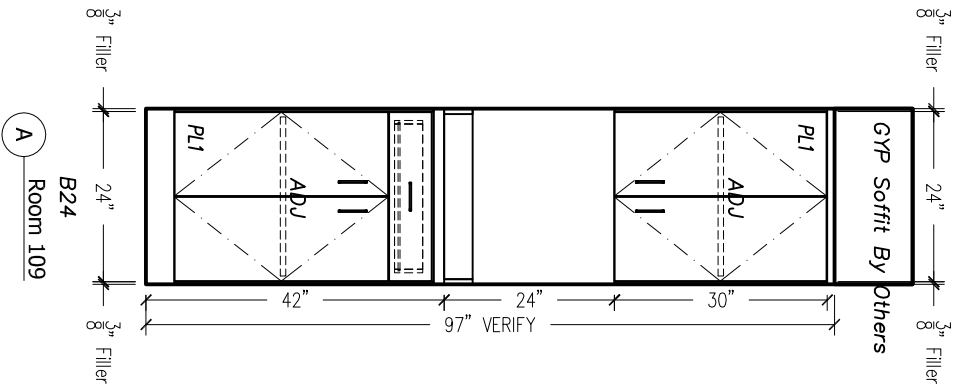
Drawn By: **ACB**  
 Date: **09-28-2010**  
 Scale: **See Drawing**  
 Elev: **See Drawing**  
 Room No: **See Drawing**  
 Page: **See Drawing**

**A2**

W243012

W363012

W183012



See Architects Drawings for Room Locations

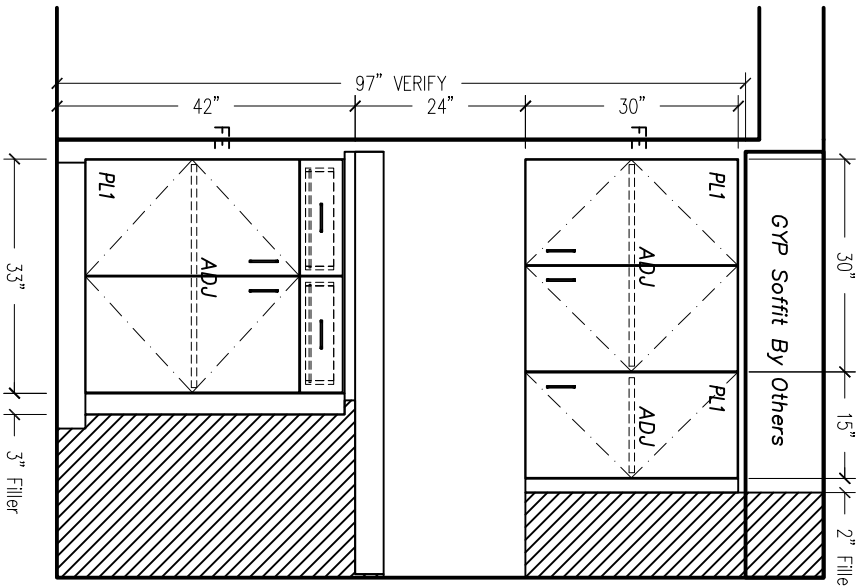
Project:  
**Urgent Care Center**  
 8134 Havens Corner Rd, Columbus, Ohio 43004

Revisions:	
Drawn By:	ACB
Date:	09-28-2010
Scale:	See Drawing
Elev:	See Drawing
Room No:	See Drawing
Page:	

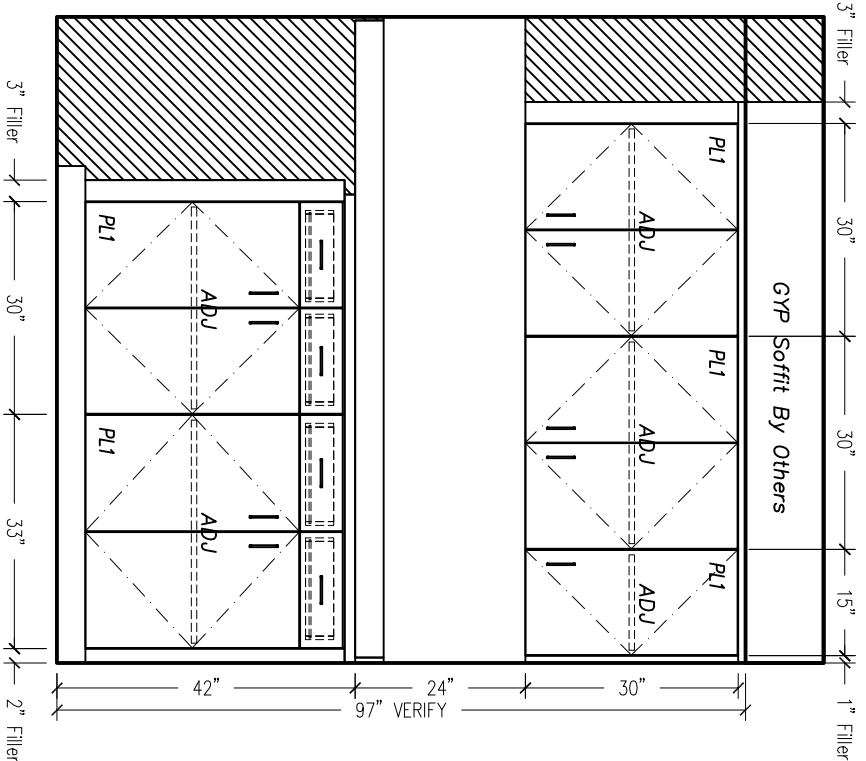
**A3**

W303012 W153012

W303012 W303012 W153012



B333  
Room 109



B330  
Room 109

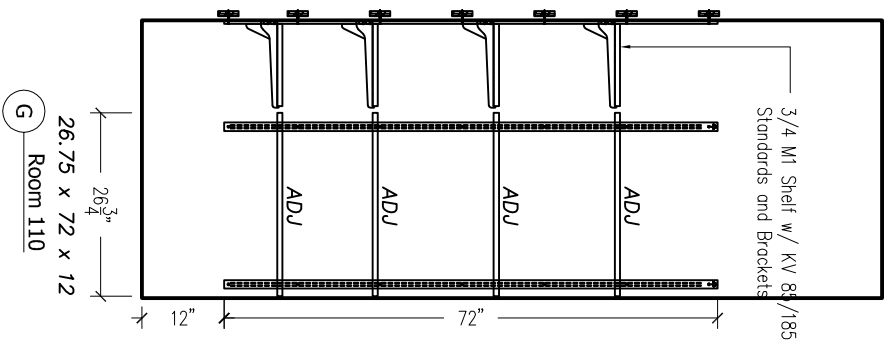
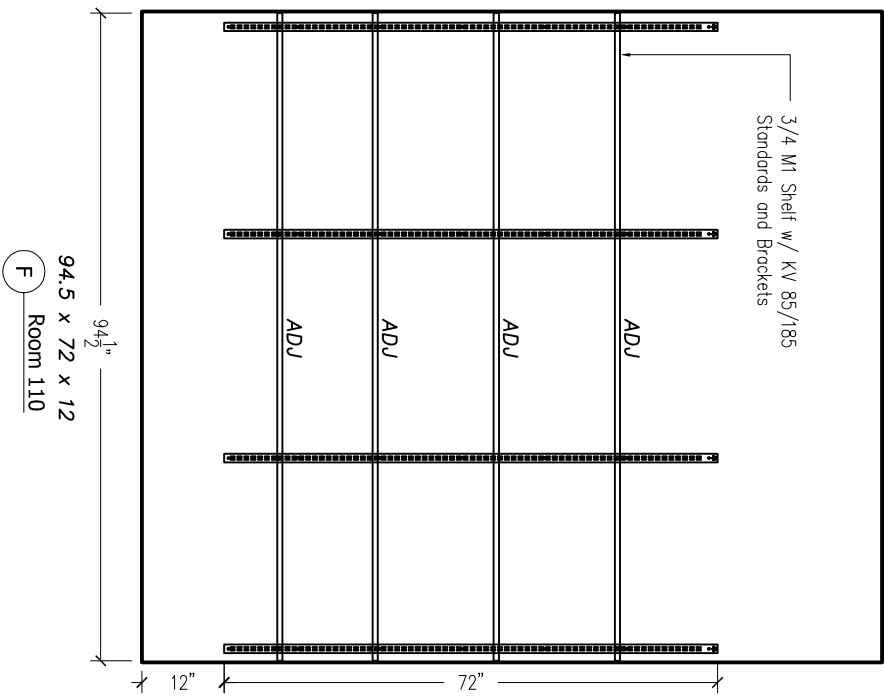
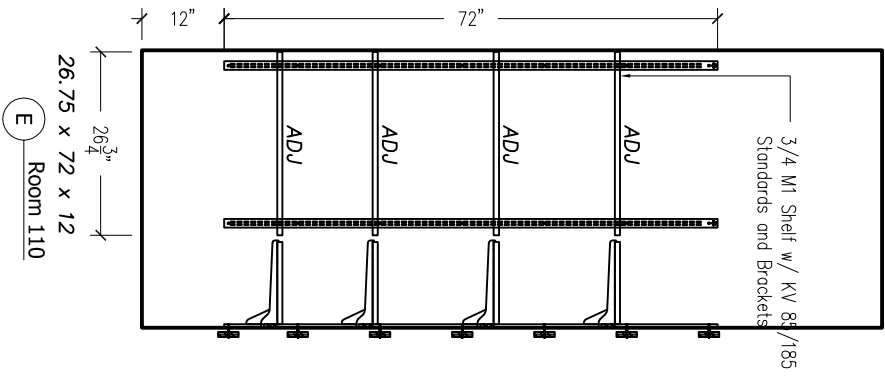
See Architects Drawings for Room Locations

Project:  
**Urgent Care Center**  
 8134 Havens Corner Rd, Columbus, Ohio 43004

Revisions:

Drawn By: **ACB**  
 Date: **09-28-2010**  
 Scale: **See Drawing**  
 Elev: **See Drawing**  
 Room No: **See Drawing**  
 Page:

**A4**



See Architects Drawings for Room Locations

Project:  
**Urgent Care Center**  
 8134 Havens Corner Rd, Columbus, Ohio 43004

Revisions:

Drawn By: **ACB**

Date: **09-28-2010**

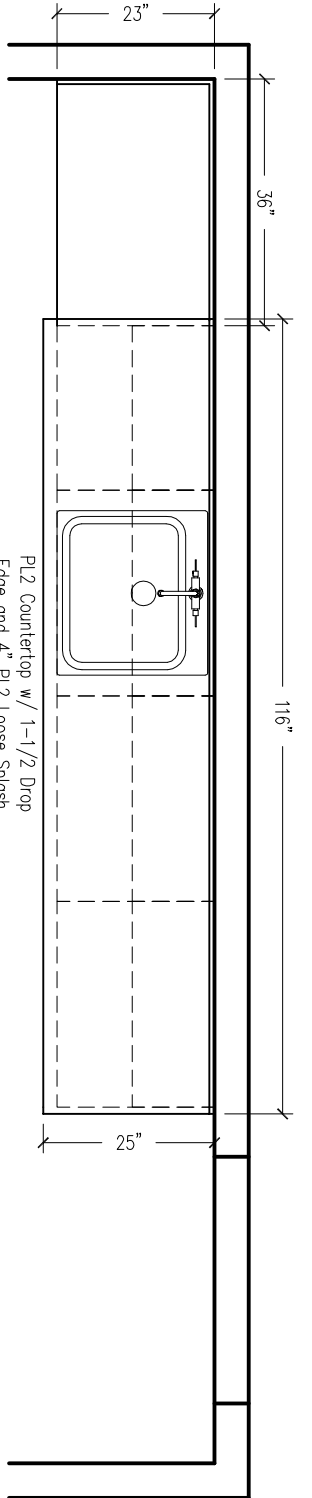
Scale: **See Drawing**

Elev: **See Drawing**

Room No: **See Drawing**

Page:





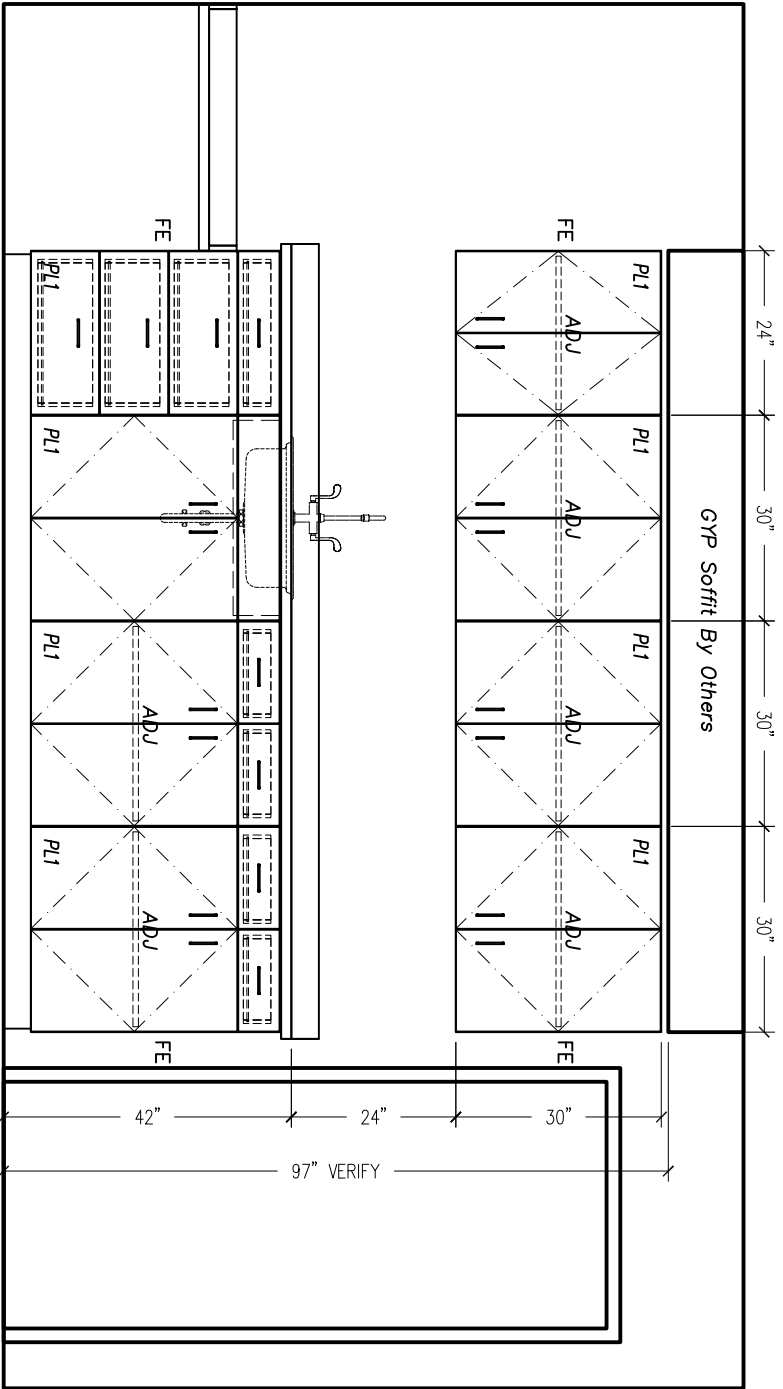
W243012

W303012

W303012

W303012

GYP Soffit By Others



4DB24

SB30

B30

B30

4 Room 118

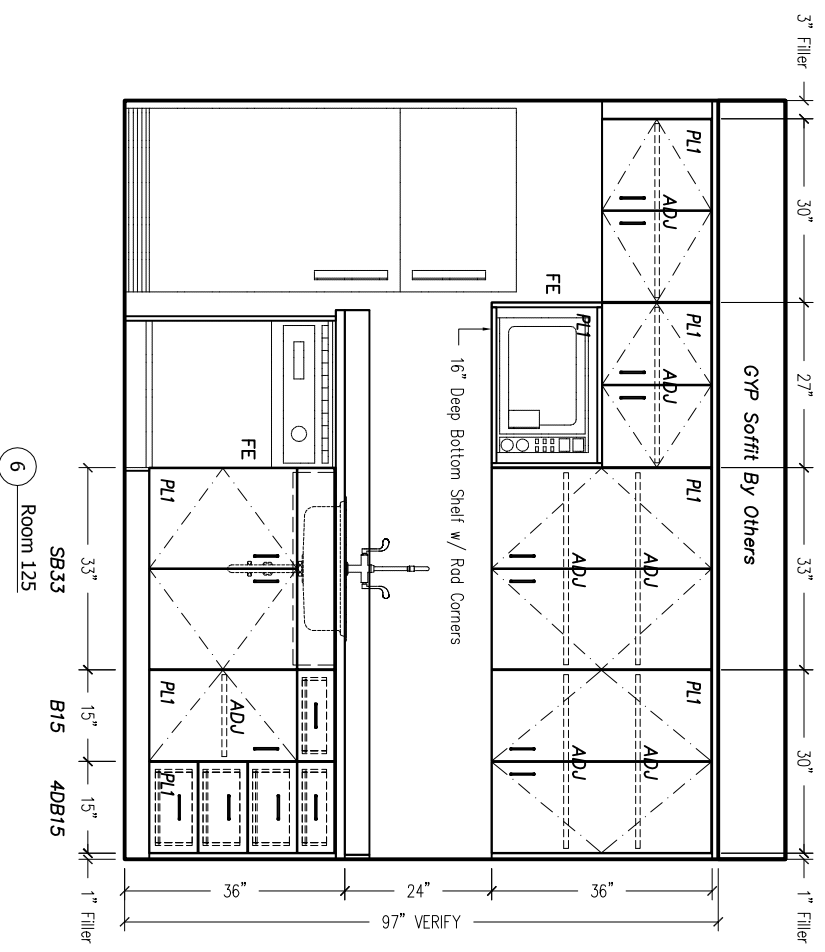
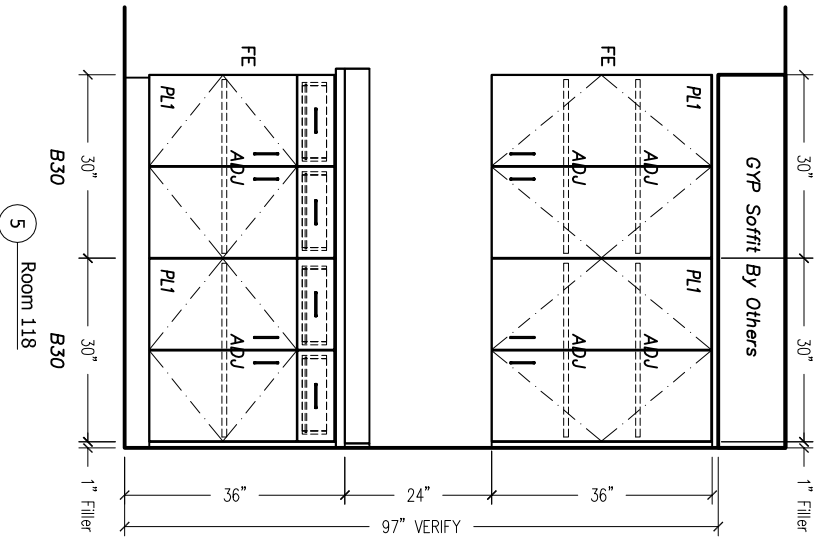
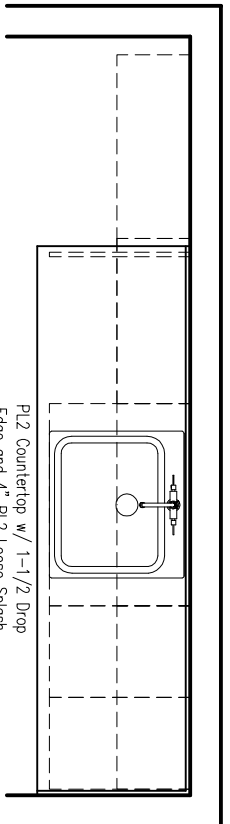
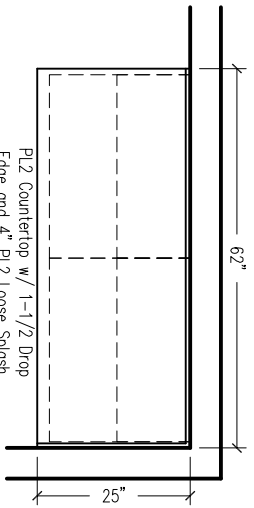
See Architects Drawings for Room Locations

Project:  
**Urgent Care Center**  
 8134 Havens Corner Rd, Columbus, Ohio 43004

Revisions:

Drawn By: **ACB**  
 Date: **09-28-2010**  
 Scale: **See Drawing**  
 Elev: **See Drawing**  
 Room No: **See Drawing**  
 Page: **See Drawing**

**A6**



W303612 W303612

W301812

W271812

W333612

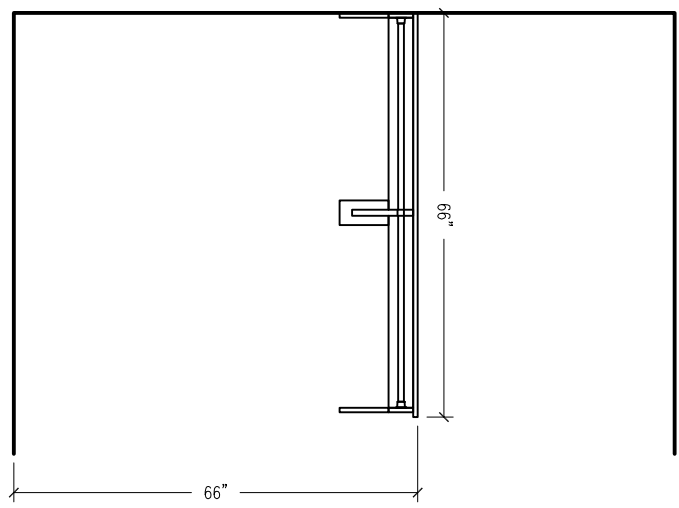
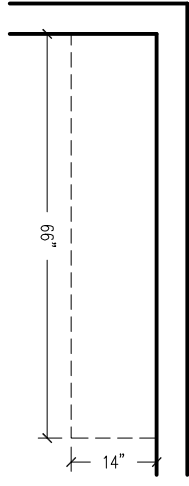
W303612

Project: **Urgent Care Center**  
8134 Havens Corner Rd, Columbus, Ohio 43004

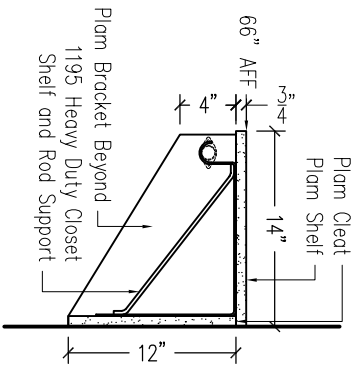
Drawn By:	ACB
Date:	09-28-2010
Scale:	See Drawing
Elev:	See Drawing
Room No.:	See Drawing
Page:	See Drawing

**A7**

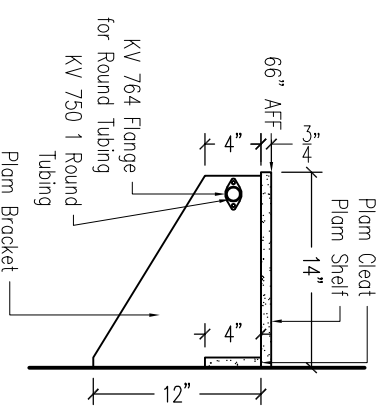
See Architects Drawings for Room Locations



7 Room 125



L Typ Section View

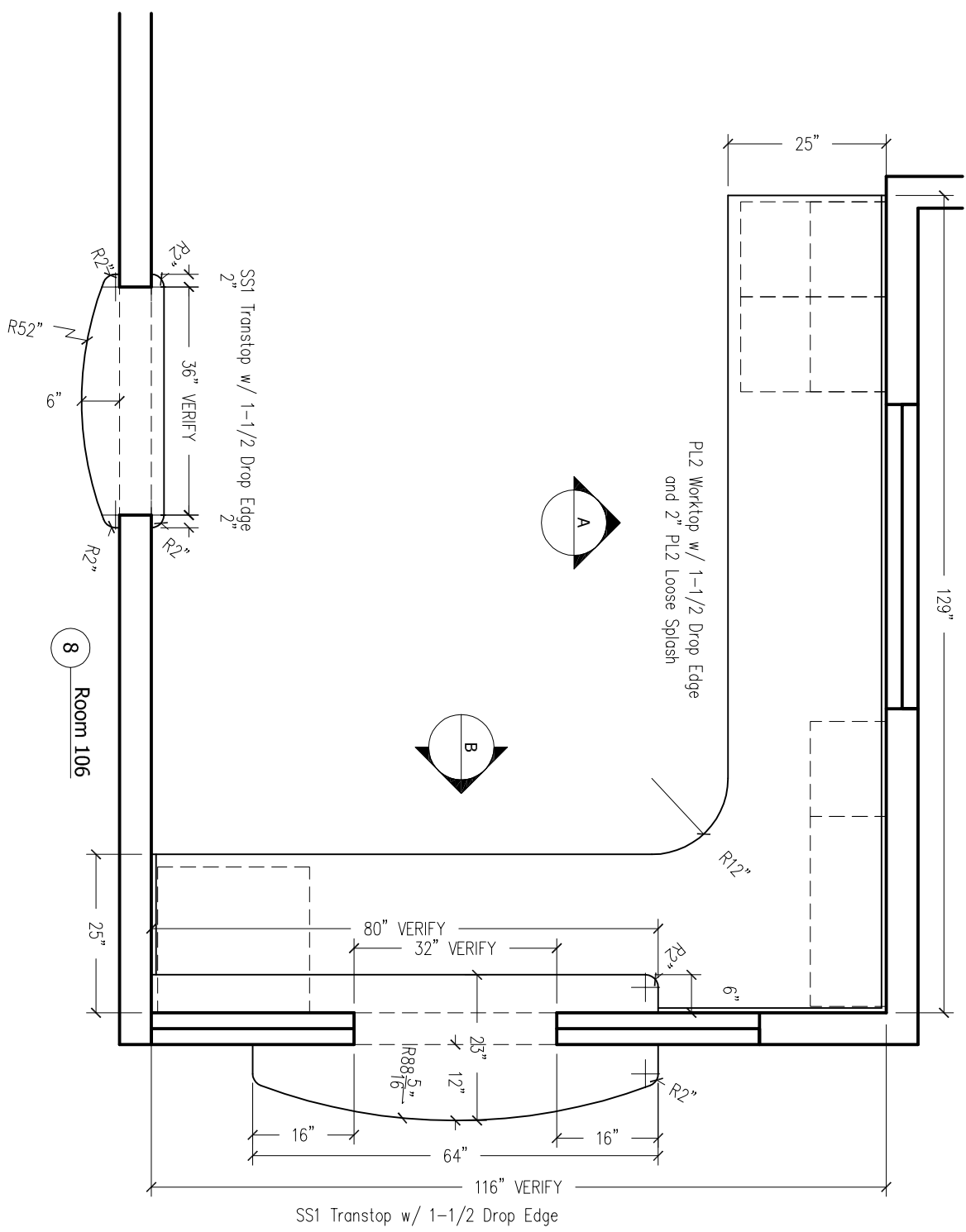


M Typ Section View

See Architects Drawings for Room Locations

Project:  
**Urgent Care Center**  
 8134 Havens Corner Rd, Columbus, Ohio 43004

Revisions:  
 Drawn By: **ACB**  
 Date: **09-28-2010**  
 Scale: **See Drawing**  
 Elev: **See Drawing**  
 Room No: **See Drawing**  
 Page:



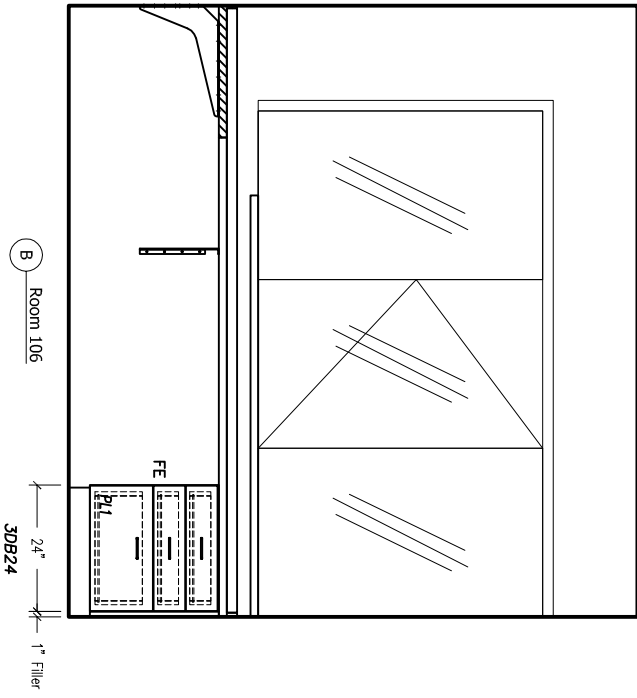
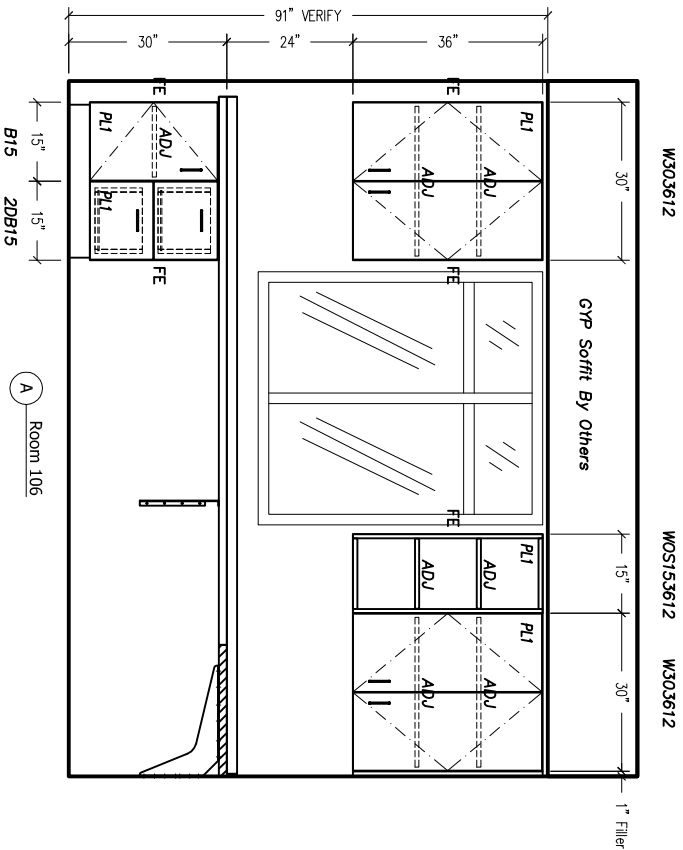
8 Room 106

See Architects Drawings for Room Locations

Project:  
**Urgent Care Center**  
 8134 Havens Corner Rd, Columbus, Ohio 43004

Revisions:	
Drawn By:	ACB
Date:	09-28-2010
Scale:	See Drawing
Elev:	See Drawing
Room No:	See Drawing
Page:	

**A9**



W303612

W05153612

W303612

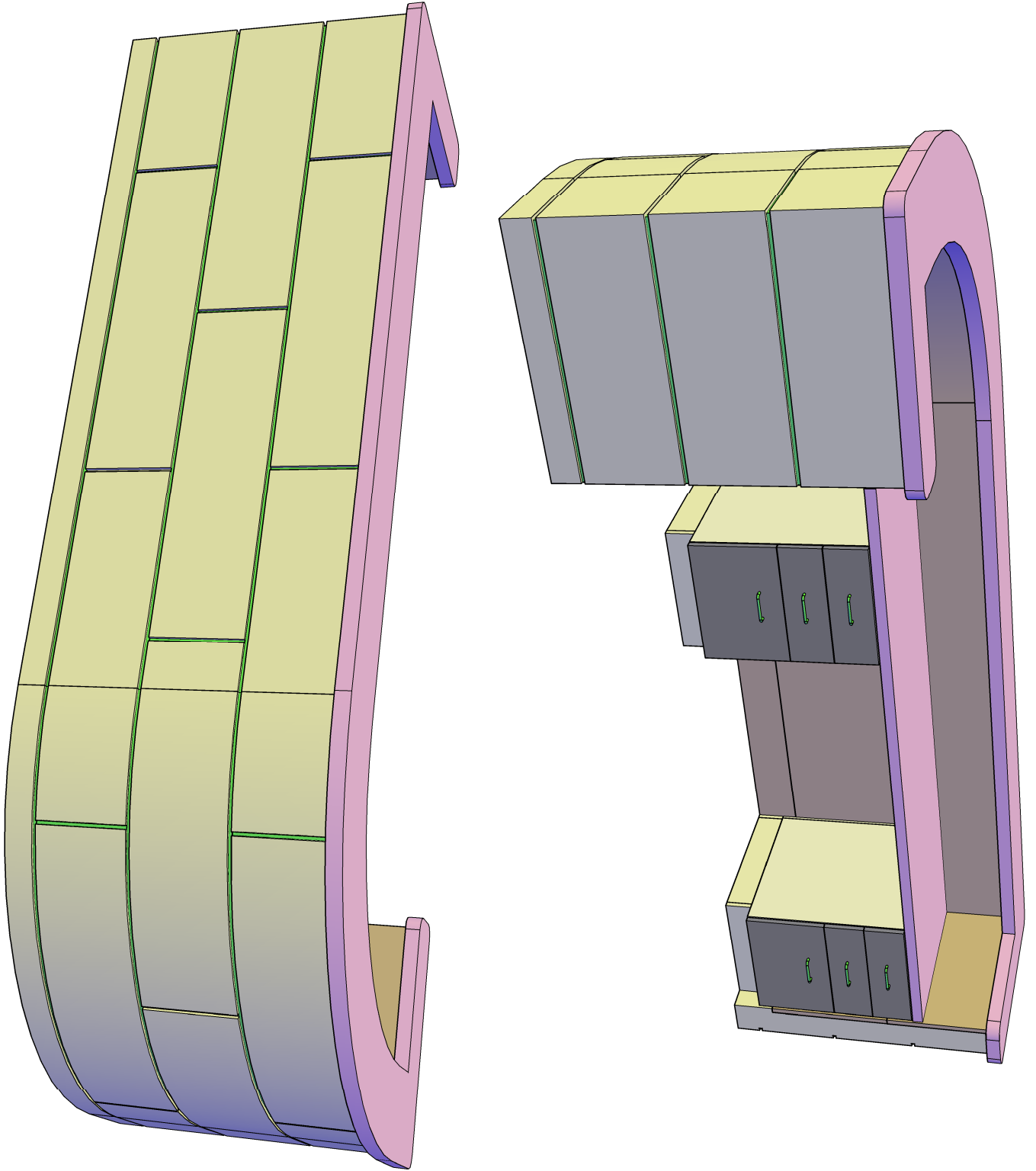
See Architects Drawings for Room Locations

Project:  
**Urgent Care Center**  
 8134 Havens Corner Rd, Columbus, Ohio 43004

Revisions:

Drawn By: **ACB**  
 Date: **09-28-2010**  
 Scale: **See Drawing**  
 Elev: **See Drawing**  
 Room No: **See Drawing**  
 Page:

**A10**



See Architects Drawings for Room Locations

Project:  
**Urgent Care Center**  
 8134 Havens Corner Rd, Columbus, Ohio 43004

Revisions:

Drawn By: **ACB**

Date: **09-28-2010**

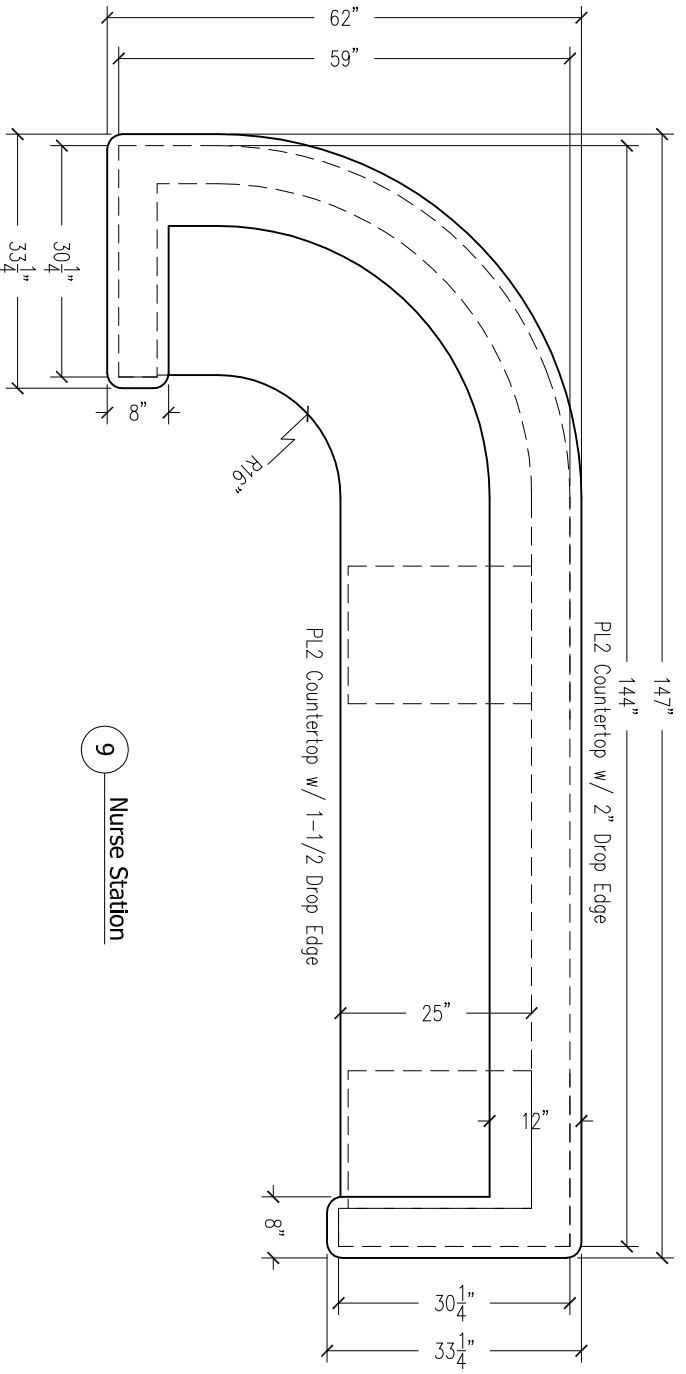
Scale: **See Drawing**

Elev: **See Drawing**

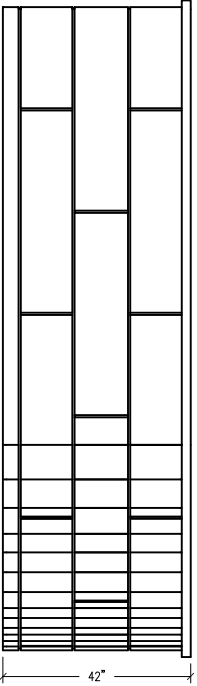
Room No: **See Drawing**

Page:

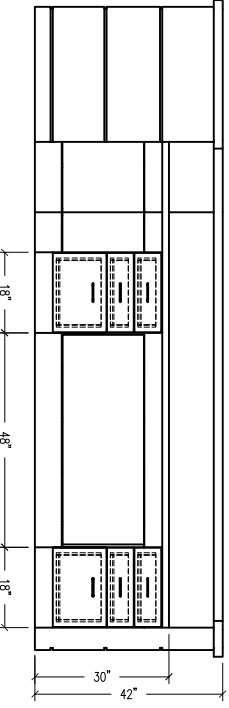
**A11**



9 Nurse Station



A Nurse Station



B Nurse Station

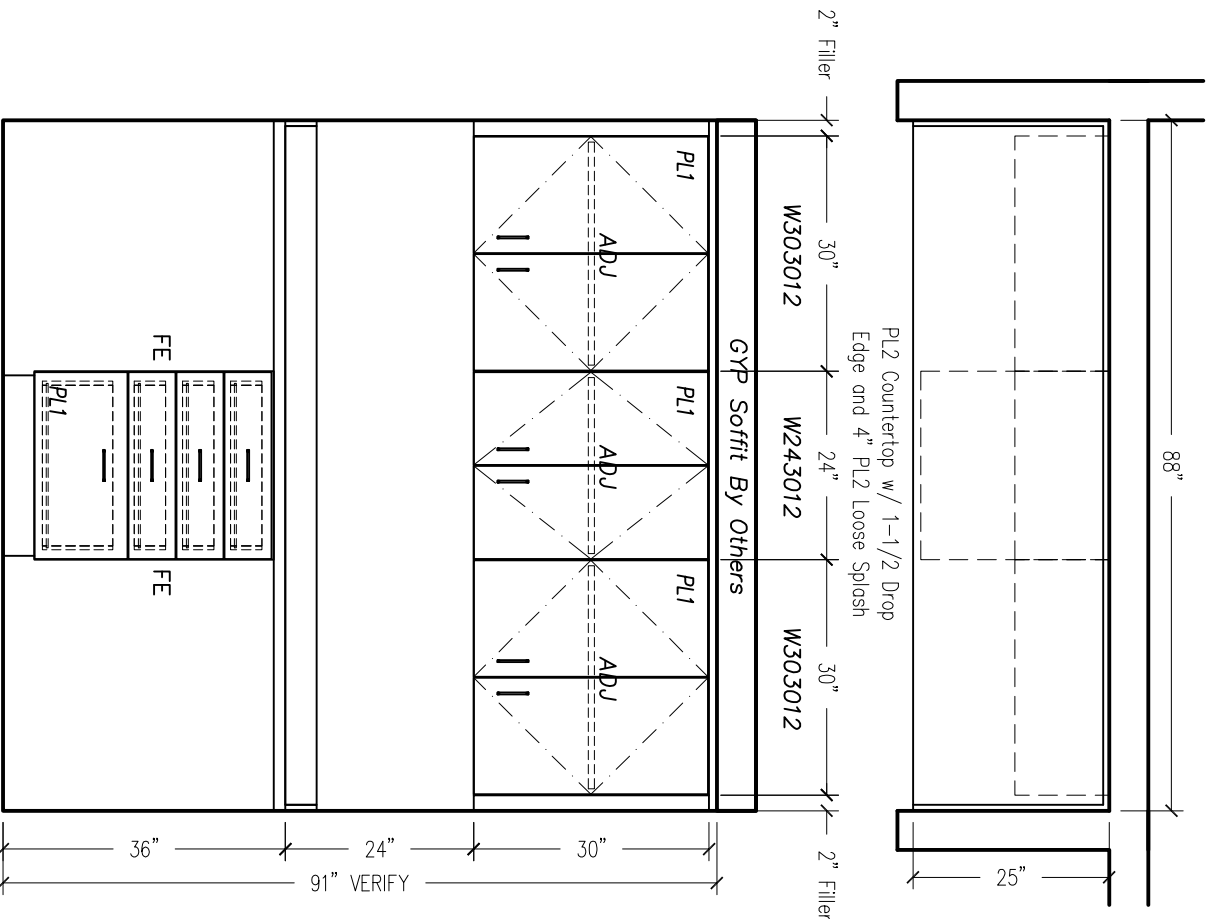
Project: **Urgent Care Center**  
8134 Havens Corner Rd, Columbus, Ohio 43004

Revisions:

Drawn By:	ACB
Date:	09-28-2010
Scale:	See Drawing
Elev:	See Drawing
Room No:	See Drawing
Page:	

See Architects Drawings for Room Locations

**A12**



4DB24

10 Nurse Station

See Architects Drawings for Room Locations

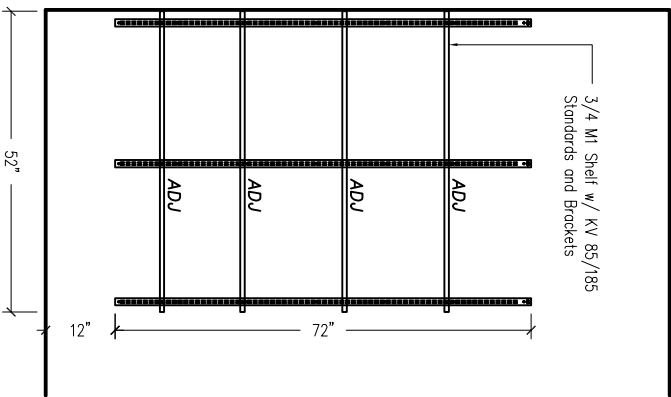
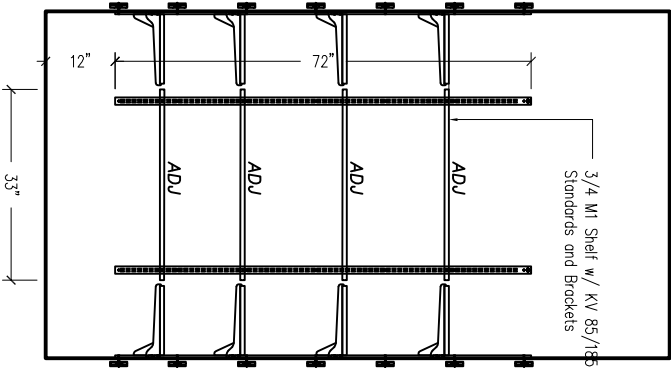
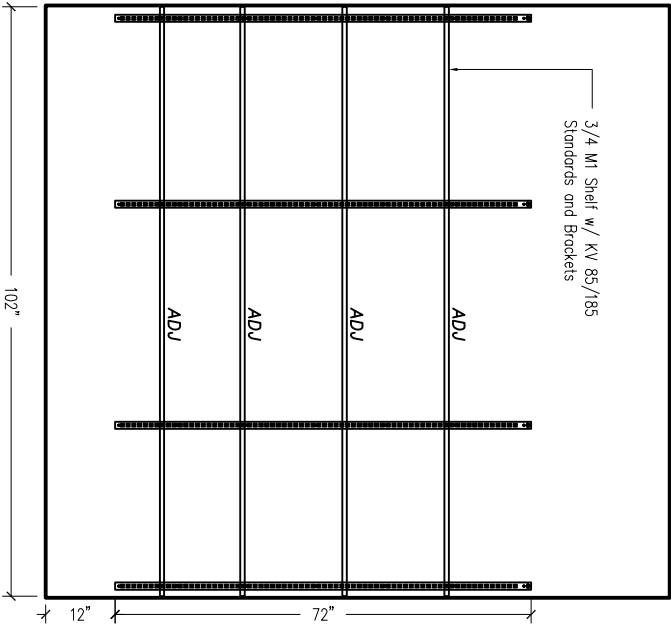
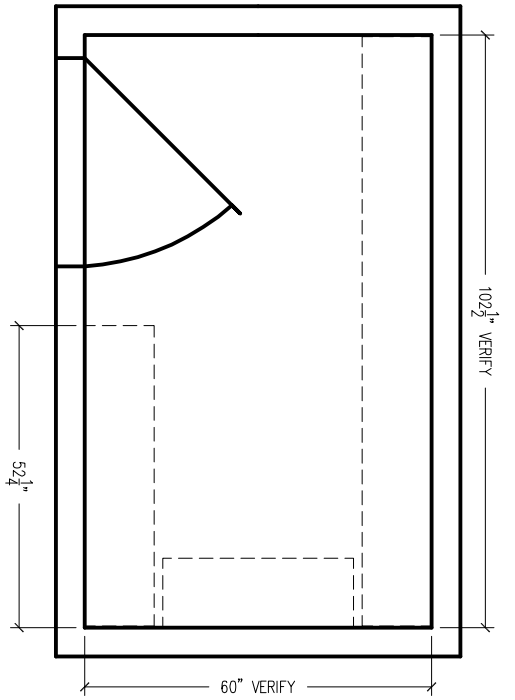
Project:  
**Urgent Care Center**  
 8134 Havens Corner Rd, Columbus, Ohio 43004

Revisions:

Drawn By: **ACB**  
 Date: **09-28-2010**  
 Scale: **See Drawing**  
 Elev: **See Drawing**  
 Room No: **See Drawing**  
 Page:

**A13**





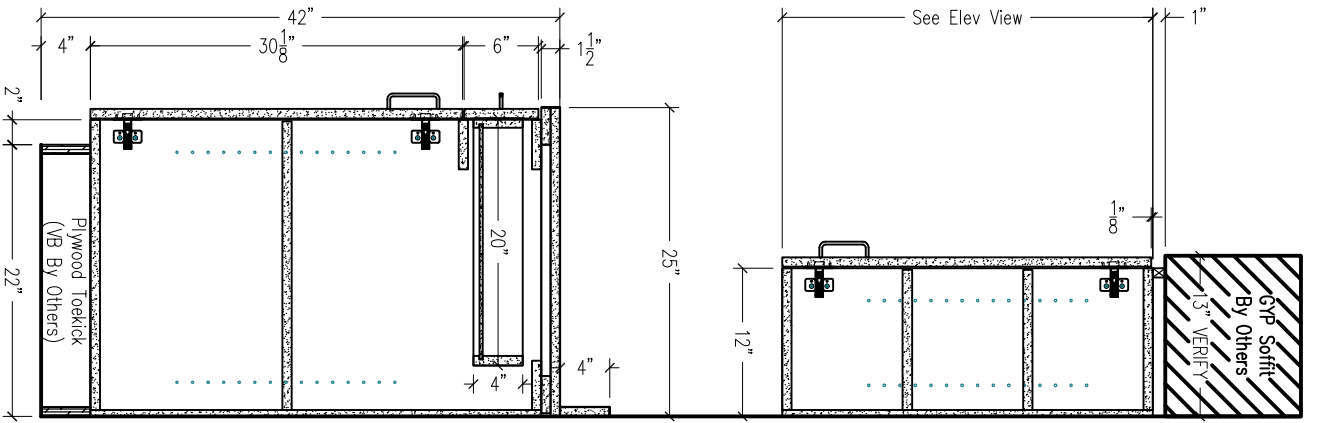
See Architects Drawings for Room Locations

Project: Urgent Care Center  
8134 Havens Corner Rd, Columbus, Ohio 43004

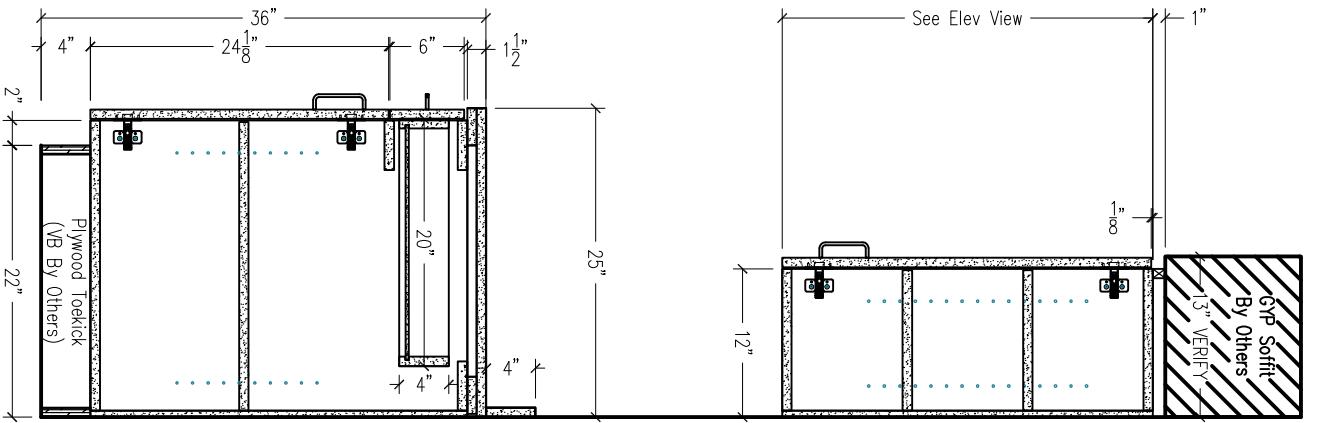
Revisions:

Drawn By: ACB  
Date: 09-28-2010  
Scale: See Drawing  
Elev: See Drawing  
Room No: See Drawing  
Page:

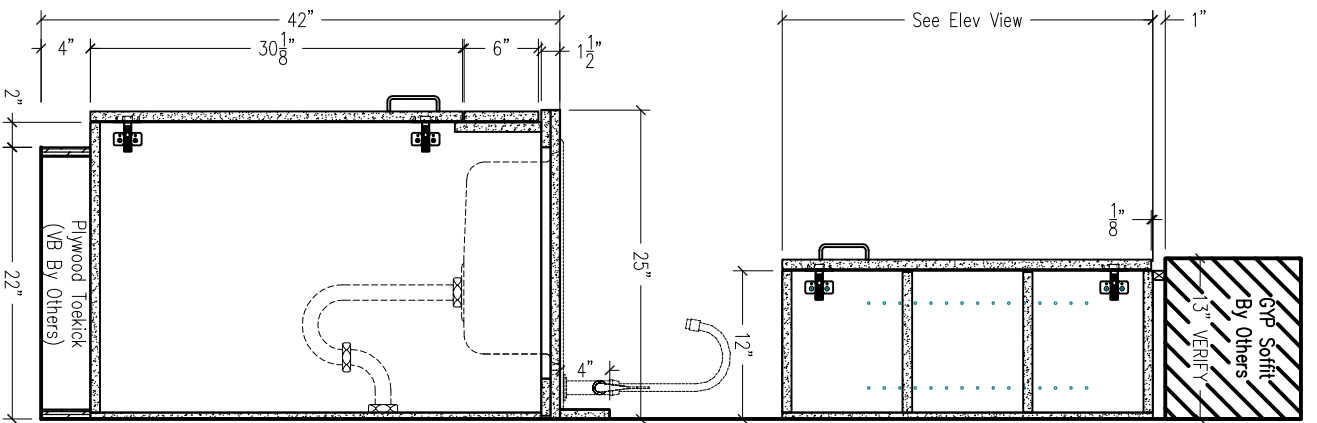
A14



A Section View



B Section View



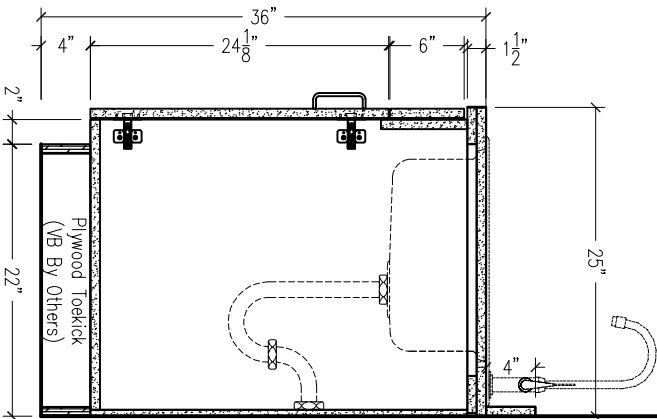
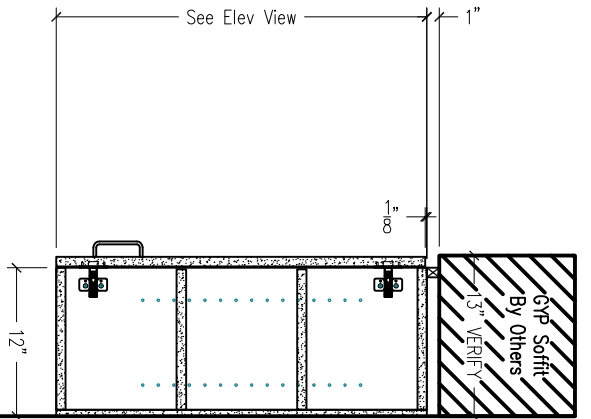
C Section View

See Architects Drawings for Room Locations

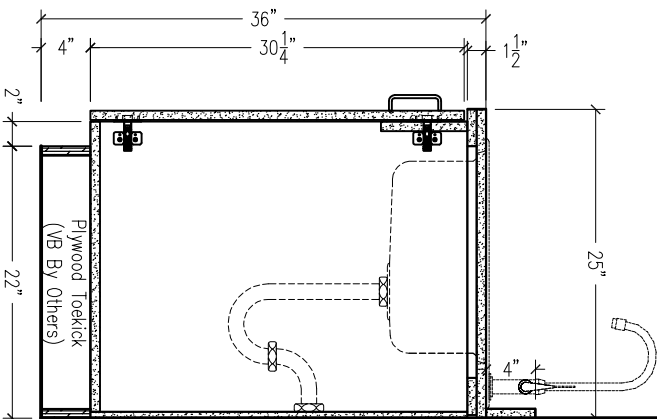
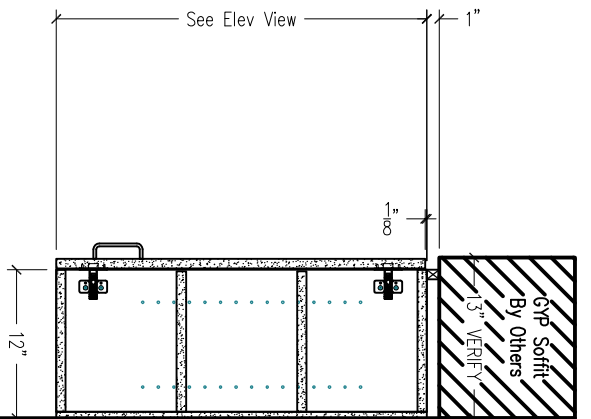
Project:  
**Urgent Care Center**  
 8134 Havens Corner Rd, Columbus, Ohio 43004

Revisions:

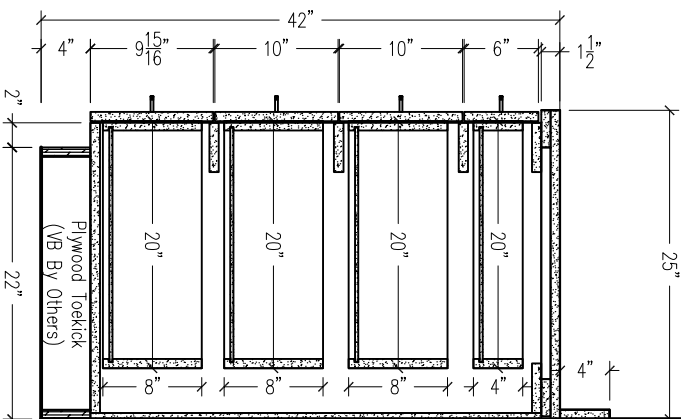
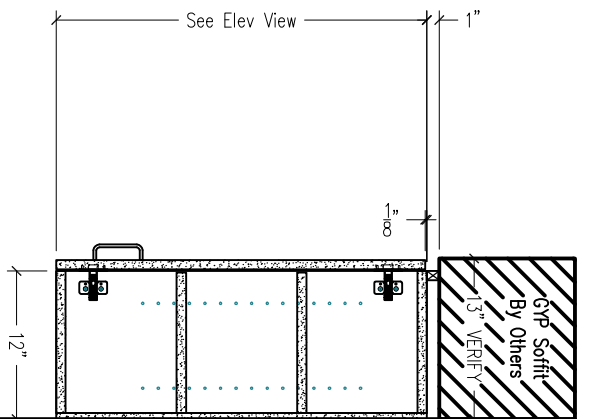
Drawn By: **ACB**  
 Date: **09-28-2010**  
 Scale: **See Drawing**  
 Elev: **See Drawing**  
 Room No: **See Drawing**  
 Page: **See Drawing**



D Section View



E Section View



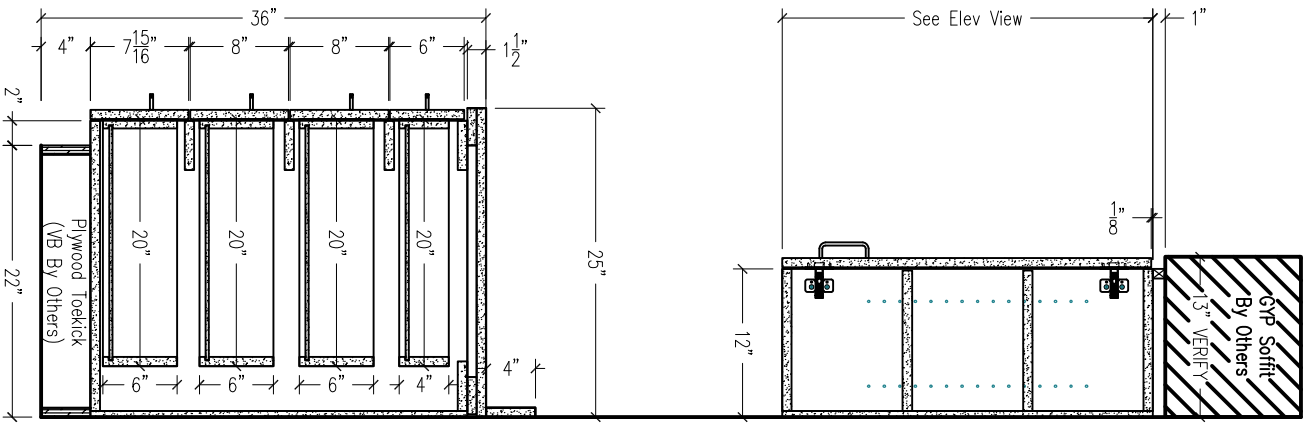
F Section View

See Architects Drawings for Room Locations

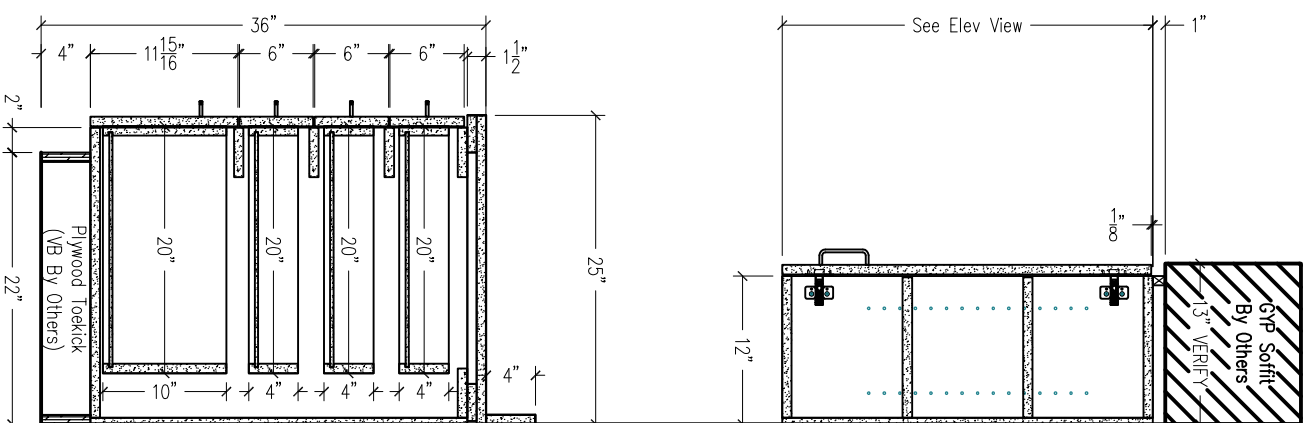
Project:  
**Urgent Care Center**  
 8134 Havens Corner Rd, Columbus, Ohio 43004

Revisions:

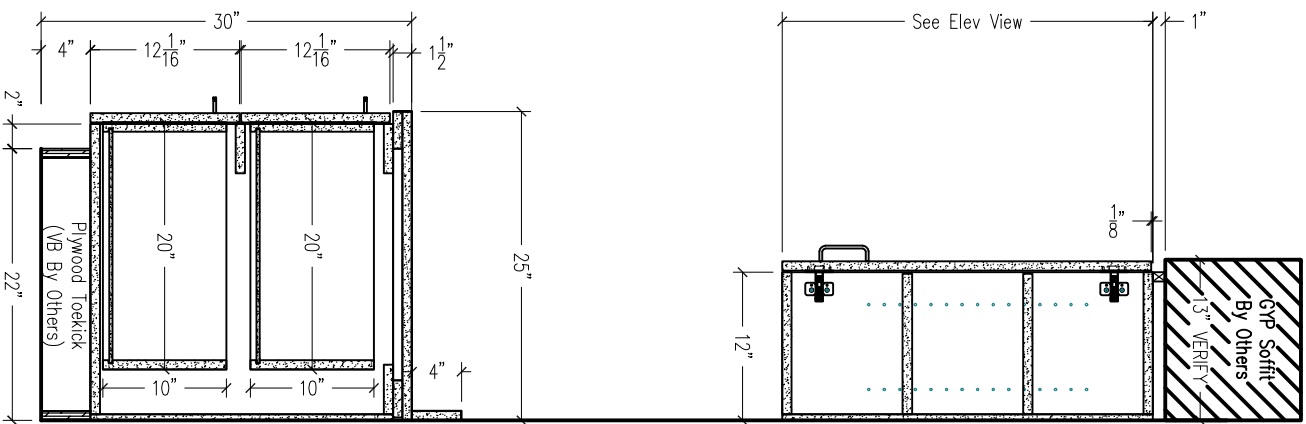
Drawn By: **ACB**  
 Date: **09-28-2010**  
 Scale: **See Drawing**  
 Elev: **See Drawing**  
 Room No: **See Drawing**  
 Page: **See Drawing**



G Section View



H Section View



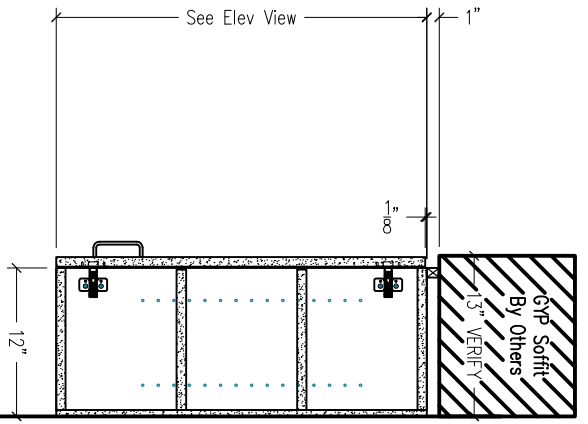
I Section View

See Architects Drawings for Room Locations

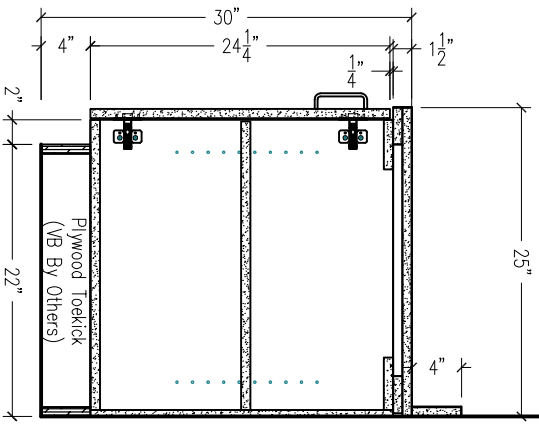
Project:  
**Urgent Care Center**  
 8134 Havens Corner Rd, Columbus, Ohio 43004

Revisions:

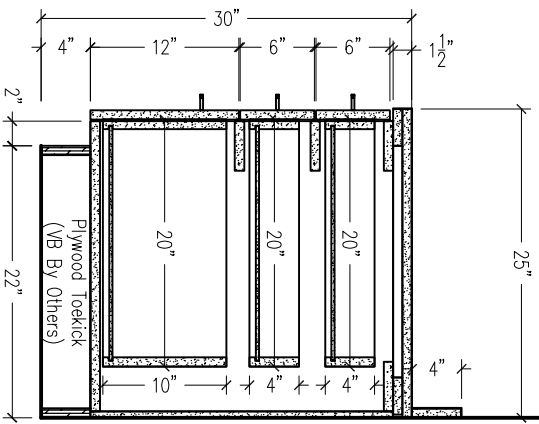
Drawn By: **ACB**  
 Date: **09-28-2010**  
 Scale: **See Drawing**  
 Elev: **See Drawing**  
 Room No: **See Drawing**  
 Page: **See Drawing**



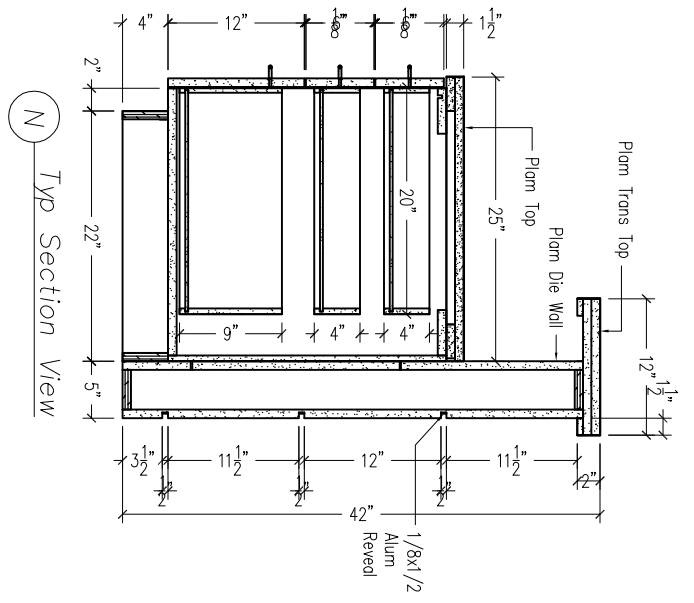
J Section View



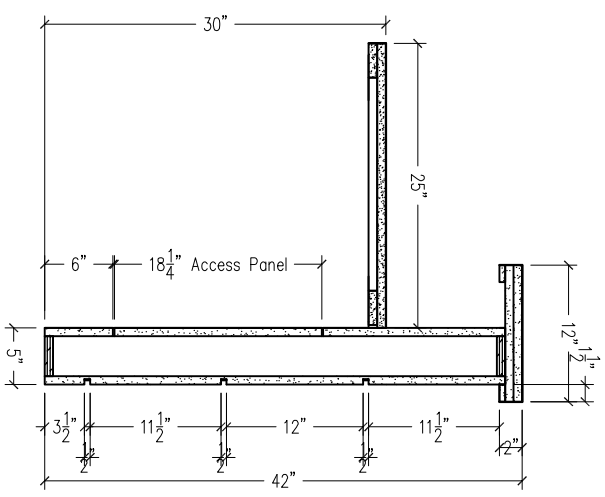
K Section View



1/2



N Typ Section View



O Typ Section View

See Architects Drawings for Room Locations

Project:  
**Urgent Care Center**  
 8134 Havens Corner Rd, Columbus, Ohio 43004

Revisions:

Drawn By:	ACB
Date:	09-28-2010
Scale:	See Drawing
Elev:	See Drawing
Room No.:	See Drawing
Page:	See Drawing